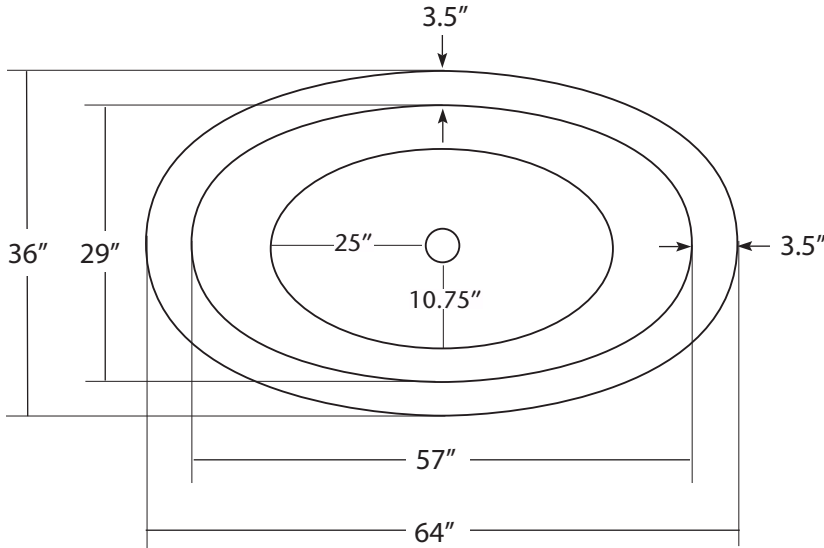


SPECIFICATIONS

Aspen



3.5" CPS802- Antique
CPS805- Brushed Nickel

PRODUCT DETAILS

- 64" x 36" x 24" OD
- Hand hammered 16 gauge recycled copper
- Insulated double walled bathtub
- 2" drain opening
- Dimensions are not exact and may vary $\pm 1/2"$

INSTALLATION

- Freestanding bathtub

COORDINATING PRODUCTS

- Trip Lever Bath Waste & Overflow: DR300

STANDARDS COMPLIANCE

- IAPMO Listed / UPC

IMPORTANT

Due to the handcrafted nature of this product, it will vary in finish, texture, hammering, and other details. Dimensions may vary up to $1 \frac{1}{2}"$.

