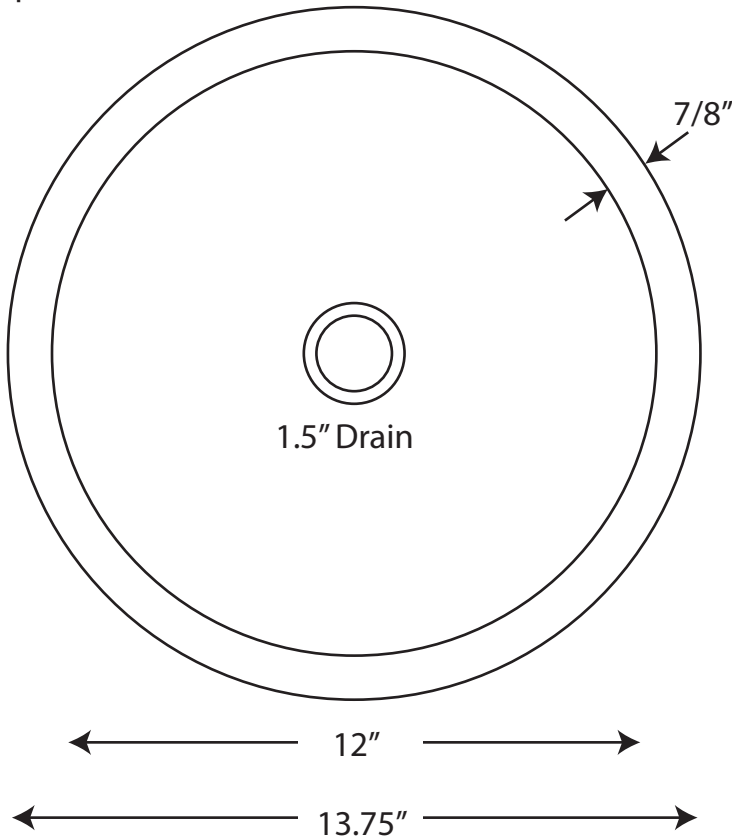


SPECIFICATIONS

SMALL ROUND

Top View



FEATURES

- * 13.75" x 6" OD
- * 12" x 5.5" ID
- * Hand hammered 16 gauge copper
- * 1.5" drain opening
- * Dimensions are not exact and may vary $\pm 1/2"$

FINISHES

- * Antique - CPS259
- * Brushed Nickel - CPS559

INSTALLATION

- * Lavatory
- * Universal Mount

COORDINATING ACCESSORIES

- * Drains: DR120, DR150 or DR160

STANDARDS COMPLIANCE

- * IAPMO Listed / cUPC

IMPORTANT

Due to the handcrafted nature of this product, it will vary in finish, texture, hammering, and other details. Dimensions may vary up to $1/2"$. We strongly recommend that you wait for the actual product before making any installation cuts.

