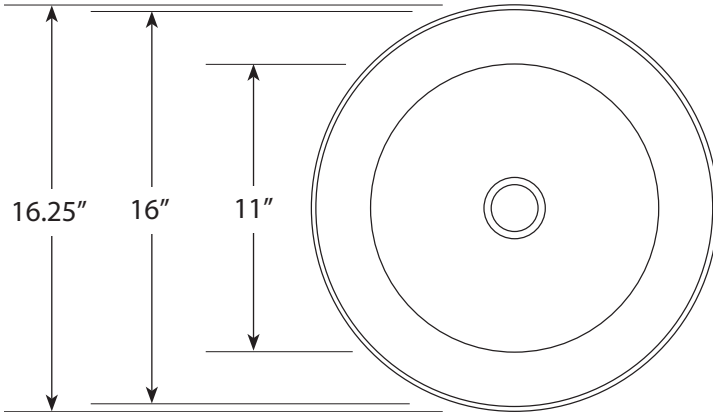


## SPECIFICATIONS

### Maestro Bajo Vessel



#### FEATURES

- \* 16.25" x 4.75" OD
- \* 16" x 4.5" ID
- \* Hand hammered 15 gauge copper
- \* 1.5" drain opening
- \* Dimensions are not exact and may vary 1/2"

#### FINISHES

- \* Tempered - CPS371
- \* Brushed Nickel - CPS571

#### INSTALLATION

- \* Lavatory
- \* Above counter

#### COORDINATING ACCESSORIES

- \* Drains: DR120, DR140 or DR160

#### STANDARDS COMPLIANCE

- \* IAPMO Listed / cUPC

#### IMPORTANT

Due to the handcrafted nature of this product, it will vary in finish, texture, hammering, and other details. Dimensions may vary up to 1/2". We strongly recommend that you wait for the actual product before making any installation cuts.

