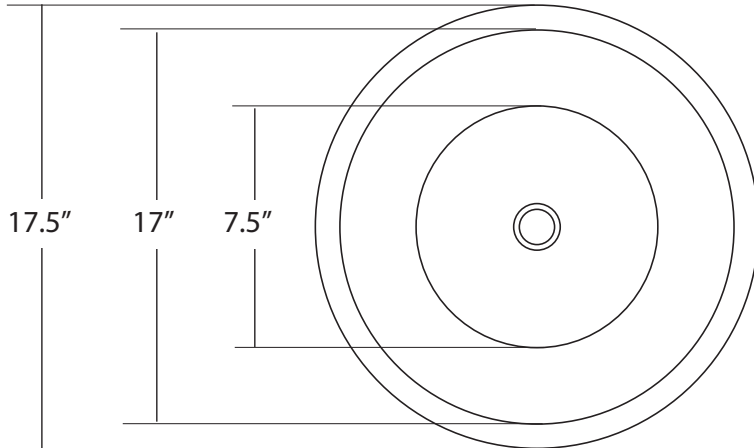


SPECIFICATIONS

Cazo



CPS158- Natural
CPS258- Antique
CPS558- Brushed Nickel



PRODUCT DETAILS

- * 17.5" x 8.5" OD
- * 17" x 8" ID
- * Hand hammered 16 gauge recycled copper
- * 1.5" drain opening
- * Dimensions are not exact and may vary $\pm 1/2$ "

INSTALLATION

- * Lavatory
- * Self-rimming or Vessel

COORDINATING PRODUCTS

- * Drains: DR120, DR150 or DR160

STANDARDS COMPLIANCE

- * IAPMO Listed / cUPC

IMPORTANT

Due to the handcrafted nature of this product, it will vary in finish, texture, hammering, and other details. Dimensions may vary up to 1/2". We strongly recommend that you wait for the actual product before making any installation cuts.

