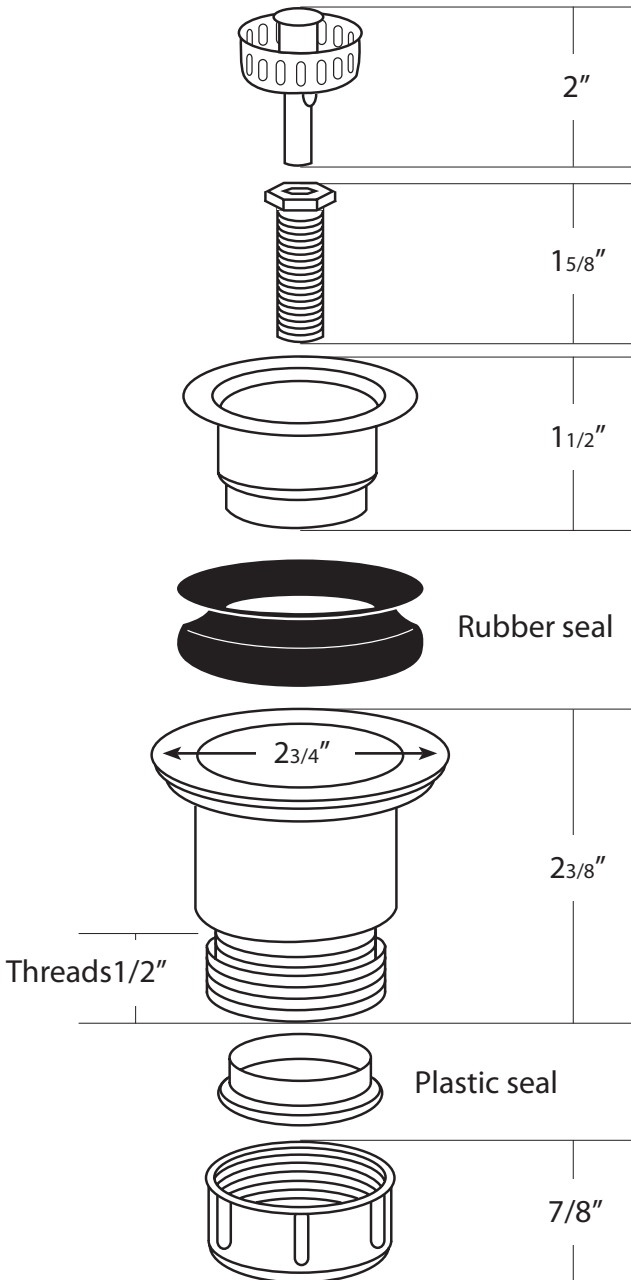


SPECIFICATIONS

2" JR. STRAINER



FEATURES

- * Fits 2" drain opening
- * Features spring-loaded center post for a tight seal
- * Overall length when assembled is 2 3/4"

FINISHES

- * DR220-BN (Brushed Nickel)
- * DR220-ORB (Oil Rubbed Bronze)
- * DR220-WC (Weathered Copper)

USE WITH

- * Bar & prep sinks with 2" drain opening (Diego, Small Square, etc.)