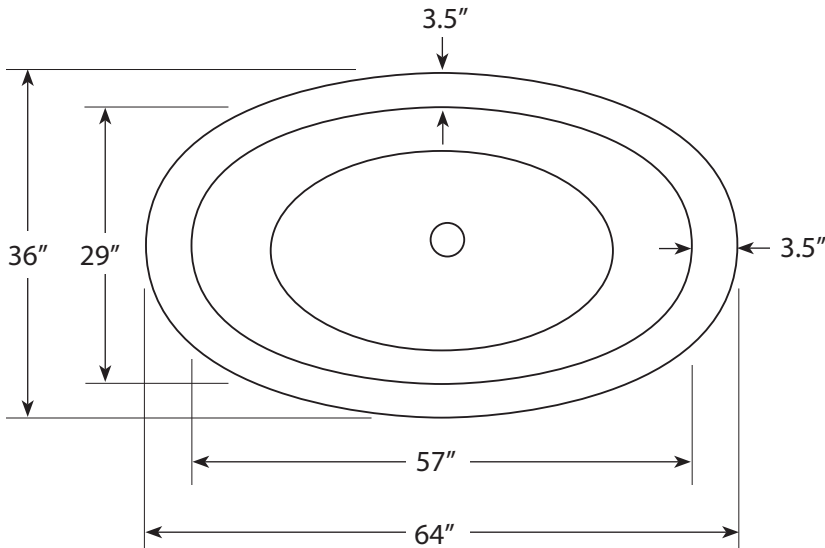


# SPECIFICATIONS

## Aspen



### FEATURES

- \* 64" x 36" x 24" OD
- \* Hand hammered 16 gauge copper
- \* Insulated double walled bathtub
- \* 2" drain opening
- \* Dimensions are not exact and may vary 1"±

### FINISHES

- \* Antique - CPS802
- \* Brushed Nickel - CPS805

### INSTALLATION

- \* Bathtub
- \* Freestanding

### COORDINATING ACCESSORIES

- \* Trip Lever Bath Waste & Overflow: DR300

### STANDARDS COMPLIANCE

- \* IAPMO Listed / UPC

### IMPORTANT

Due to the handcrafted nature of this product, it will vary in finish, texture, hammering, and other details. Dimensions may vary up to 1". We strongly recommend that you wait for the actual product before making any installation cuts.

