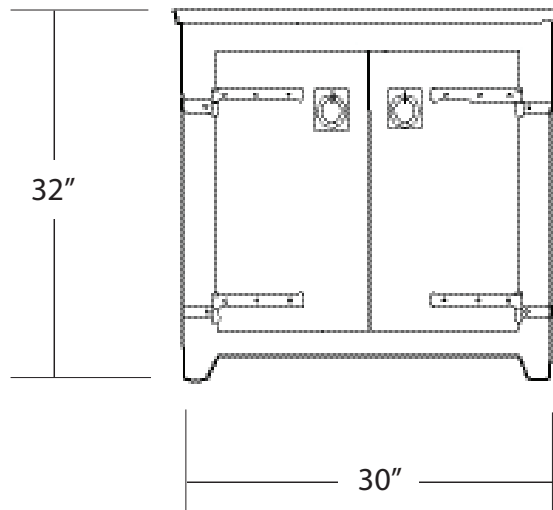


SPECIFICATIONS

30" Old World Vanity



VNB301- Chestnut
VNB300- Whitewash
VNB308- Black
VNB307- Olive



PRODUCT DETAILS

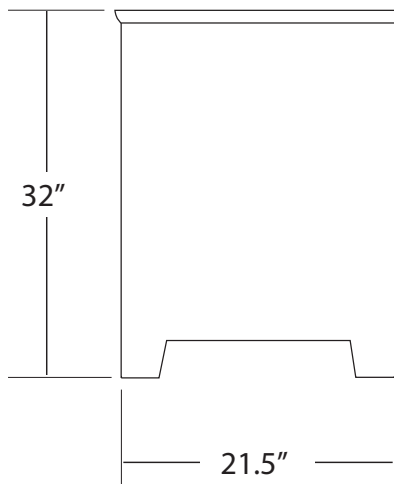
- * 30"w x 21.5"d x 32"h
- * Reclaimed wood
- * Hand forged iron hinges and pulls
- * Solid wood back
- * Dimensions are not exact and may vary $\pm 1/2"$

INSTALLATION

- * Freestanding vanity base

COORDINATING PRODUCTS

- * Native Trails stone, Tuscany, or Sedona vanity top



IMPORTANT

Due to the handcrafted nature of this product, it will vary in finish, texture, and other details. Dimensions may vary up to 1/2".