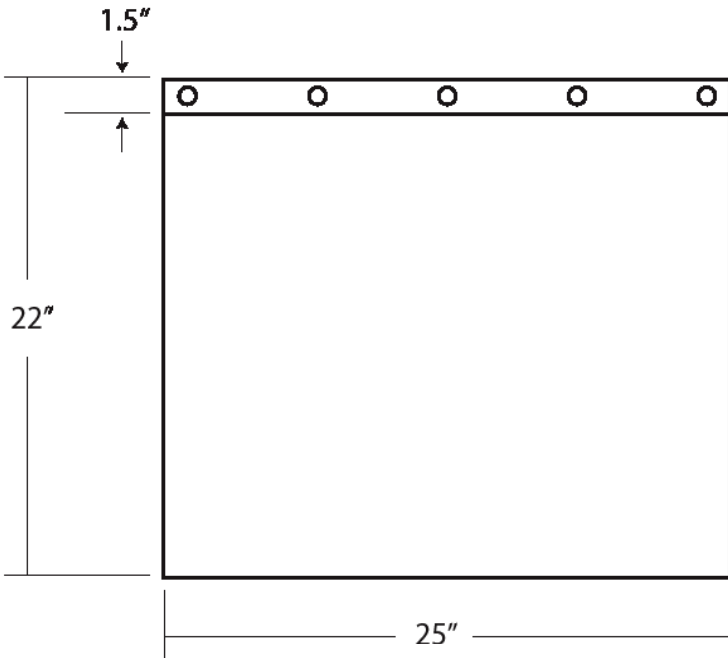


SPECIFICATIONS

24" Tuscany Top



FEATURES

- * 25" x 22" OD
- * Hand hammered 16 gauge copper
- * Hand forged nails
- * 4" Backsplash
- * Multiple cutout configurations available
- * Dimensions are not exact and may vary $\pm 1/2"$

FINISHES

- * Tempered - VNT243

USE WITH

Combine with any Raised Profile, Drop-in, Vessel or Universal Mount sink.
(Not intended for undermounting)

View cutout configurations at www.nativetrails.net or pricelist located in our catalog.

IMPORTANT

Due to the handcrafted nature of this product, it will vary in finish, texture, hammering, and other details. Dimensions may vary up to $1/2"$.

