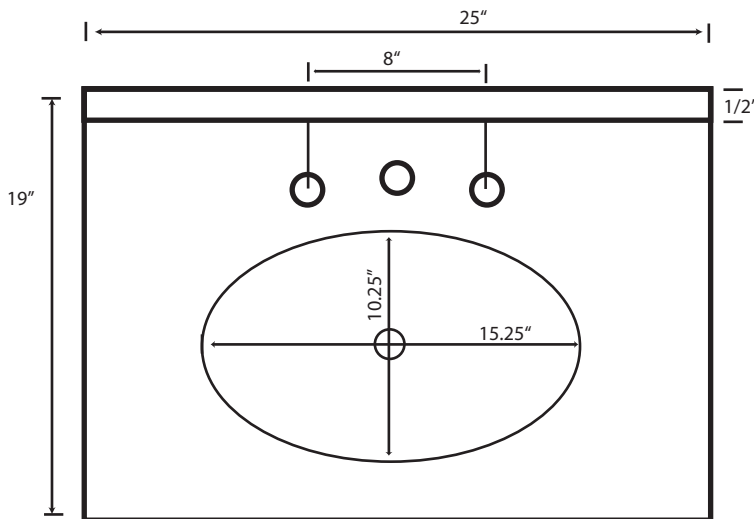


SPECIFICATIONS

24" Sedona Wall Mount Vanity Top



VNT192- Antique
VNT195- Brushed Nickel

PRODUCT DETAILS

- * 25" x 19.5" OD
- * Hand hammered 16 gauge recycled copper
- * 3.5" Backsplash
- * Basin: 15.25" x 10.25" x 4.25"
- * Pre-drilled for 8" faucet spread
- * Dimensions are not exact and may vary $\pm 1/2"$

COORDINATING PRODUCTS

- * Drains: DR120, DR150 or DR160
- * Sedona Mirror



IMPORTANT

Due to the handcrafted nature of this product, it will vary in finish, texture, hammering, and other details. Dimensions may vary up to 1/2". We strongly recommend that you wait for the actual product before making any installation cuts.