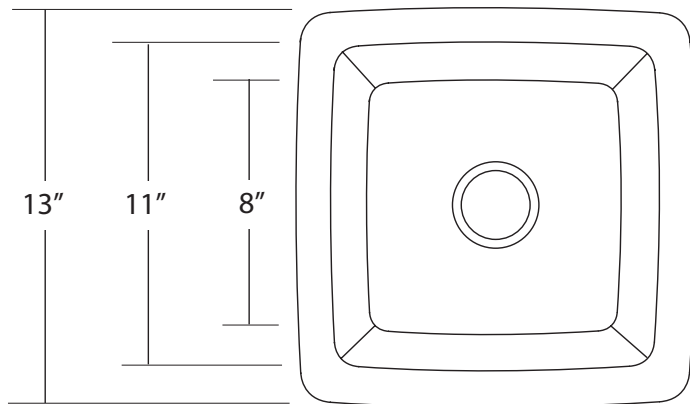


SPECIFICATIONS

Small Square



CPS147- Natural
CPS247- Antique
CPS547- Brushed Nickel



PRODUCT DETAILS

- * 13" x 13" x 6.5" OD
- * 11" x 11" x 6" ID
- * Hand hammered 16 gauge recycled copper
- * 2" drain opening
- * Dimensions are not exact and may vary $\pm 1/2"$

INSTALLATION

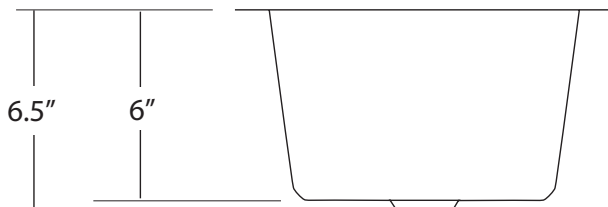
- * Undermount

COORDINATING PRODUCTS

- * Drains: DR220

STANDARDS COMPLIANCE

- * IAPMO Listed / cUPC



IMPORTANT

Due to the handcrafted nature of this product, it will vary in finish, texture, hammering, and other details. Dimensions may vary up to $1/2"$. We strongly recommend that you wait for the actual product before making any installation cuts.