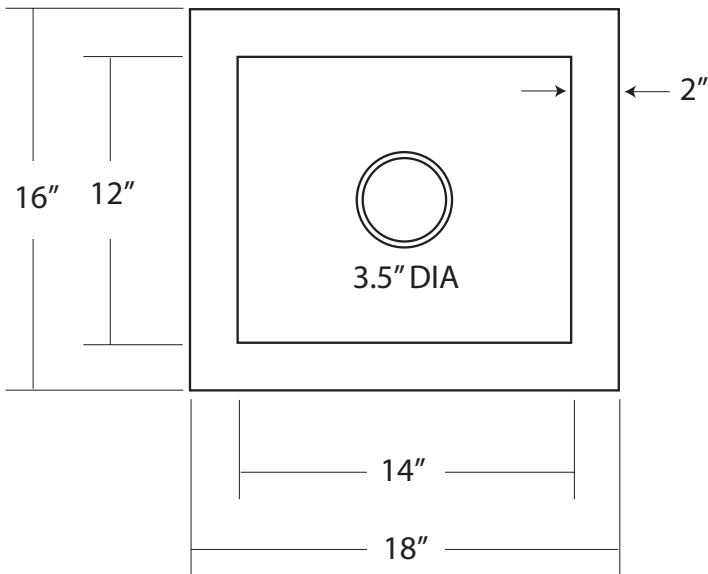


SPECIFICATIONS

Cabana



CPS213- Antique
CPS513- Brushed Nickel

PRODUCT DETAILS

- * 18" x 16" x 7.5" OD
- * 14" x 12" x 7" ID
- * Hand hammered 16 gauge recycled copper
- * Apron extends 2.5" on sides
- * 3.5" drain opening
- * Dimensions are not exact and may vary $\pm 1/2"$

INSTALLATION

- * Undermount

COORDINATING PRODUCTS

- * Drains: DR320 or DR340
- * Bottom Grid: GR913

STANDARDS COMPLIANCE

- * IAPMO Listed / cUPC

IMPORTANT

Due to the handcrafted nature of this product, it will vary in finish, texture, hammering, and other details. Dimensions may vary up to 1/2". We strongly recommend that you wait for the actual product before making any installation cuts.

