

SPECIFICATIONS

Farmhouse Duet



CPS276- Antique
CPS576- Brushed Nickel

PRODUCT DETAILS

- * 33" x 22" x 10.5" OD
- * Lg Basin: 16.5" x 18" x 10" ID
- * Sm Basin: 11.5" x 16" x 8" ID
- * Hand hammered 16 gauge recycled copper
- * Apron extends 3.5" on sides
- * 3.5" drain opening
- * Dimensions are not exact and may vary $\pm 1/2"$

INSTALLATION

- * Undermount

COORDINATING PRODUCTS

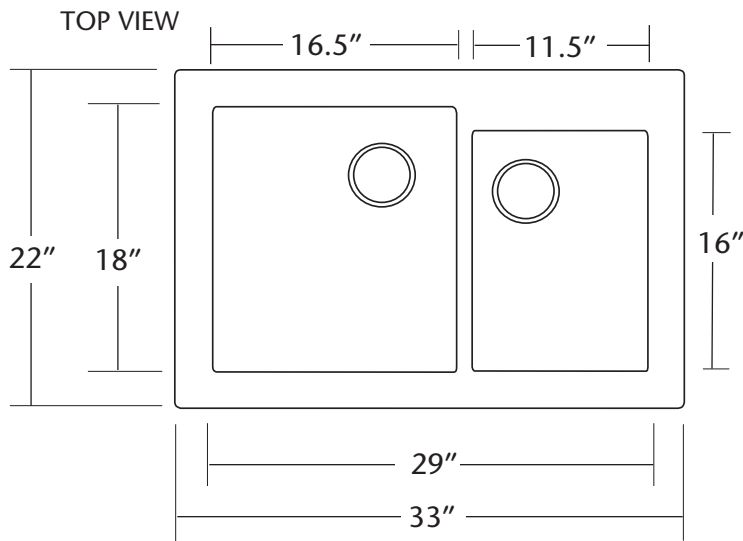
- * Drains: DR320 or DR340
- * Bottom Grid: GR976 & GR975
- * Rinsing Basket: GR878

STANDARDS COMPLIANCE

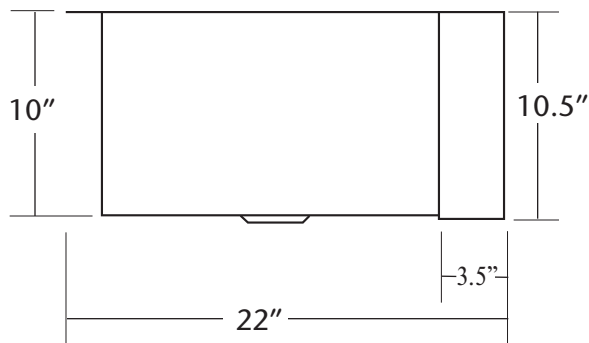
- * IAPMO Listed / cUPC

IMPORTANT

Due to the handcrafted nature of this product, it will vary in finish, texture, hammering, and other details. Dimensions may vary up to 1/2". We strongly recommend that you wait for the actual product before making any installation cuts.



SIDE VIEW



Apron Front

